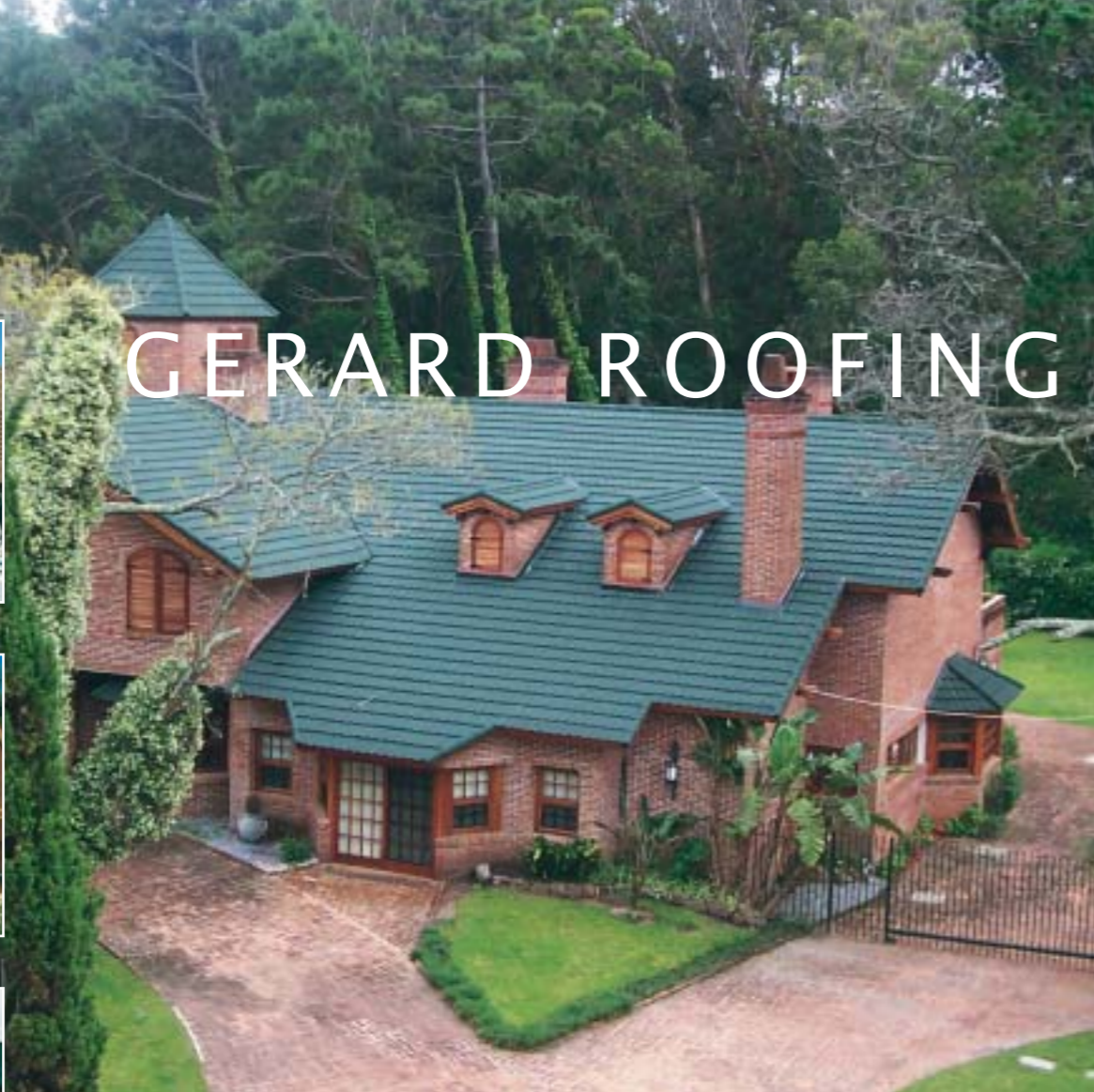




PROVEN AROUND  
THE WORLD

 **GERARD**<sup>®</sup>  
ROOFING SYSTEMS

# GERARD ROOFING TILES



Gerard Sage, Punta Del Este, Uruguay



Gerard Textured Charcoal, New Zealand



## ADVANCED ROOFING SYSTEM

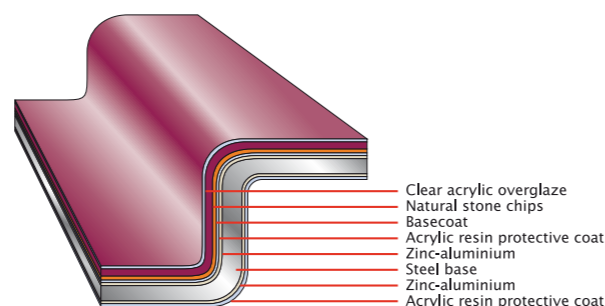
More than 30 years of research and development has gone into Gerard Tiles. At its heart is the Gerard roofing panel, pressure formed from 0.4mm steel; seven tile impressions are formed horizontally in one panel. Each panel is profiled to form an extremely strong overlapping and interlocking structure.

## LIGHT AND STRONG

It is the interlocking structure and unique horizontal fastening method which has enabled Gerard Tiles to survive some of the world's worst weather conditions and perform excellently against fire, hurricanes and even earthquakes. And yet, at only 7 kilograms per square metre, roofs made from Gerard Tiles are amongst the lightest roofs available.

## RIGHT COLOUR, RIGHT DESIGN

Available in ten natural colours to blend harmoniously with the tones of nature and to complement both traditional and modern designs. And with two roofline finishes to choose from, Gerard Tiles gives today's architects, specifiers and engineers precisely what they want...distinction, versatility and quality.

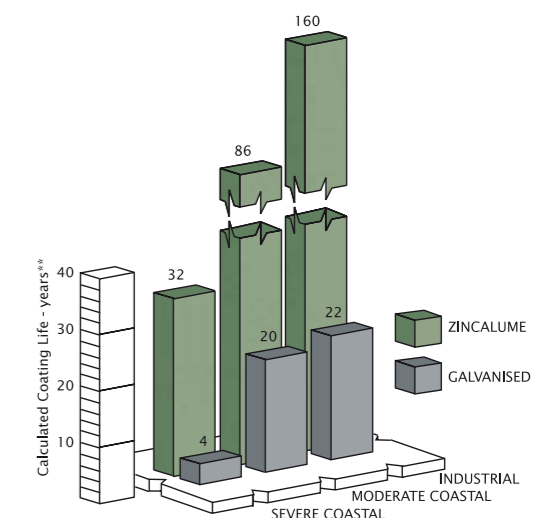


## APPROVED TO WORLD STANDARDS

Gerard Tiles' remarkable resilience is due to the combination of the weathering qualities of stone and the strength of steel. It is this resilience that has enabled Gerard Tiles to meet the requirements of the most stringent laboratory tests and meet the toughest building codes and standards worldwide. (see back page).

## CHOOSE THE CORROSION RESISTANCE OF ZINCALUME®\* COATED STEEL

Zincalume® coated steel has superior long term corrosion resistance. The combination of the sacrificial protection of zinc with the barrier protection of the aluminium provides superior performance to that of galvanised coatings in almost all environments. This all adds up to a significantly longer life.



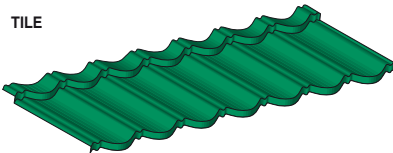
\*\*quoted by BHP in BIEC clips issue 48, 8/97 for uncoated Zincalume®).

\*Zincalume® is a registered trademark of Bluescope Steel Limited.

# TECHNICAL INFORMATION

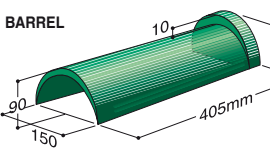
**MAJOR COMPONENTS\***

**TILE**



Overall length	1320mm
Length of cover	1260mm
Width of cover	370mm
Upstand	25mm
Roof cover/tile	0.46m <sup>2</sup>
Coverage	2.2 tiles/m <sup>2</sup>
Weight/unit	2.9kg
Weight/m <sup>2</sup>	6.4kg

**BARREL**

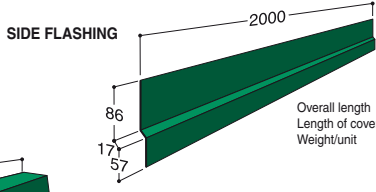


Overall length	405mm
Length of cover	370mm
Weight/Gerard unit	0.5g

**BARREL END DISC**

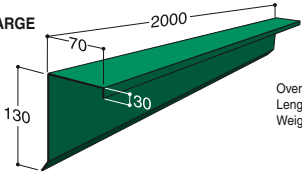
Diameter	150mm
Weight/Gerard unit	0.1g

**SIDE FLASHING**



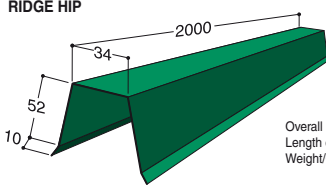
Overall length	2000mm
Length of cover	1900mm
Weight/unit	1.4kg

**BOX BARGE**



Overall length	2000mm
Length of cover	1900mm
Weight/Gerard unit	2.5kg

**RIDGE HIP**



Overall length	2000mm
Length of cover	1900mm
Weight/Gerard unit	2.0kg

All dimensions and weights given are nominal

\* A range of other accessories is available to suit particular construction requirements. Gerard Tiles have been fully appraised and received appraisal certificates from the following. Test report copies are available from any of our offices or representatives.

## WEATHERING RESISTANCE

- Accelerated Weathering Test to American Society for Testing and Materials standard (ASTM) G26.

## WEATHERING SECURITY

- High Speed Dynamic Rain Penetration and High Wind Loading Tests - by Construction Research Laboratory Inc, Florida, USA.
- Low Speed Dynamic Rain Penetration Test - by the Experimental Building Station, Australia

## HURRICANE/CYCLONE WIND RESISTANCE

- Hurricane test by Construction Research Laboratory Inc, Miami, Florida, USA.
- Cyclone Loading Test to the Wind Loading Code, Australian Standard 1170, Part 2 1975 - by Cyclone Testing Station, Australia.

## CORROSION RESISTANCE

- Salt/fog Test to ASTM B117
- 100% Relative Humidity Test to ASTM D2247

## CONCENTRATED LOADING

- Concentrated Force on Roofing Tiles to Australian Standard 1582. Rule 5.2, 1973 by Cyclone Testing Station, Australia.

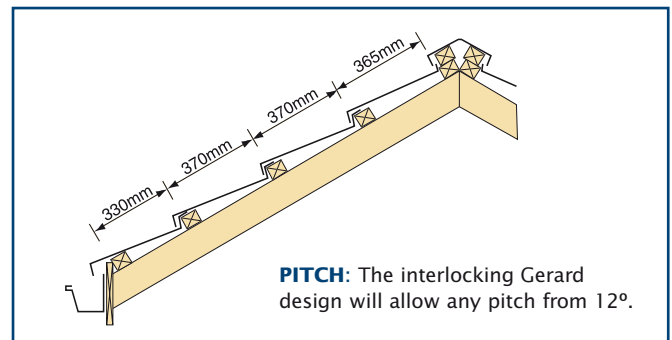
## FIRE RESISTANCE

- Class A&B under UL790 (ASTM E-108) when applied in accordance with instructions.

## RESISTANCE TO THE IMPACT OF HAILSTONES

- Hailstone test by Commonwealth Scientific and Industrial Research Organisation, Division of Building, Construction and Engineering, Australia.

## BATTEN SPACING



### AHI Roofing Limited

90-104 Felton Mathew Avenue,  
Glen Innes.  
PO Box 18071, Glen Innes,  
Auckland, New Zealand.  
Tel: (64)-9-978 9010  
Fax: (64)-9-978 9069  
export@ahiroofing.co.nz

### European Regional Office

Priestacott Cottage Bradford,  
Holsworthy,  
Devon, EX22 7AN,  
United Kingdom.  
Tel: (44)-1409 281398  
Fax: (44)-1409 281898  
info@ahiroofing.co.uk

### Middle East Regional Office

Emirates Towers, Level 41,  
Sheikh Zayed Road.  
P.O. Box 31303, Dubai,  
United Arab Emirates  
Tel: (971)-4-319 7685  
Fax: (971)-4-319 7687  
ahiroof@emirates.net.ae

### China Regional Office

702-5 Yen Sheng Centre  
No. 64 Hoi Yuen Road,  
Kwun Tong Kowloon  
Hong Kong  
Tel: (852)-2960 7725  
Fax: (852)-3126 2965  
info@ahiroofing.com.cn

### AHI Roofing (Malaysia) Sdn Bhd

Lot 12, Nilai Industrial Estate,  
71800 Nilai  
Negeri Sembilan  
Malaysia  
Tel: (60)-6-799 1877  
Fax: (60)-6-799 1827  
info@ahiroofing.com.my

### Japan Regional Office

6F Pinex Kojimachi  
4-4-3 Kojimachi, Chiyoda-ku  
Toyko 102-0083, Japan  
Tel: (81)-3-3264 8701  
Fax: (81)-3-3264 8726  
info@ahiroofing.jp

### Africa Regional Office

11 Station Road, Toddington,  
Bedfordshire LU5 6BN  
Tel: (44)-0-1525 634255  
Fax: (44)-0-1525 634266  
ahi.roof@ntlworld.com

[www.ahiroofing.com](http://www.ahiroofing.com)

**GERARD**  
ROOFING SYSTEMS

**AHI ROOFING**  
A FLETCHER BUILDING COMPANY